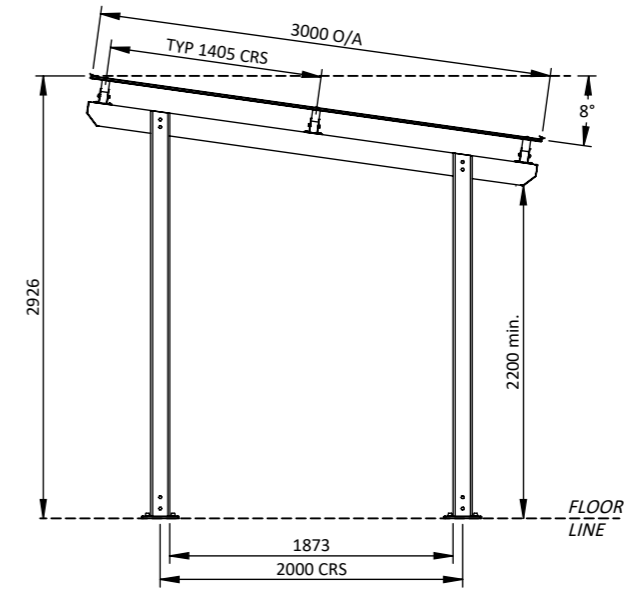
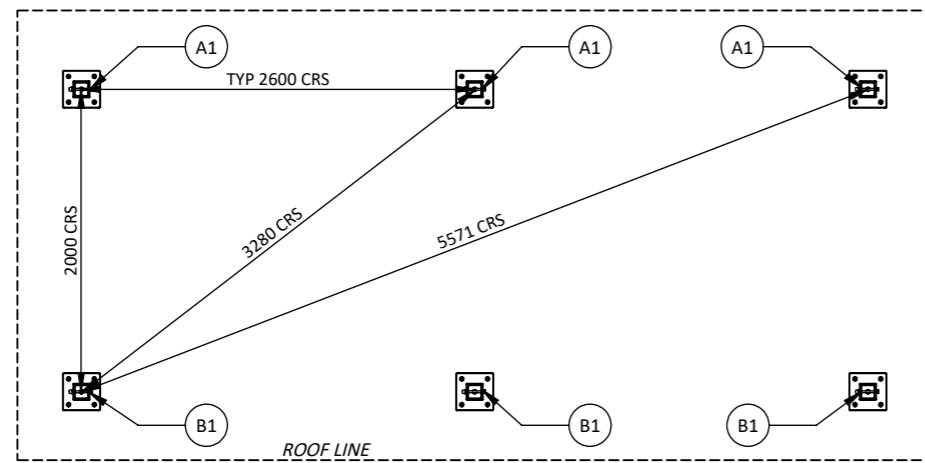


FRONT VIEW 1:50



SIDE VIEW 1:50



FOUNDATION PLAN 1:50



PICTORICAL VIEW

**GOSSI**  
PARK & STREET FURNITURE

1082 Kingsford Smith Drive  
EAGLE FARM - QLD 4009  
Phone: (07) 3877 2856  
Fax: (07) 3877 2890  
www.gossi.com.au Email:  
sales@gossi.com.au

©Copyright - This drawing is the property of G. James Glass & Aluminium Pty Ltd it must not be copied or shown to third parties without written consent

PROJECT	Capricorn 6x3 - Flange Mount - w/ Screens		
TITLE	General Arrangement		
DATE	28/04/2023	SCALE	A3
DRAWING NUMBER	CN-6x3-FM-SC-N4-SLS-1		

**GENERAL MATERIALS:**

- Posts, framing and roofing components in extruded aluminium.
- Roof sheeting in corrugated profile coated steel.

**FINISHES**

- Posts, framing and brackets in Class AA25 Anodising finishes, Polyester Powder Coating or wood look aluminium.  
*Note: Colour may vary between alloys.*
- Spigots in Polyester Powder Coating finishes.  
*Note: 60 Micron minimum on visible faces.*

**HARDWARE**

- Stainless steel anti-vandal fixings.
- Roof screws colour matched roof sheets.