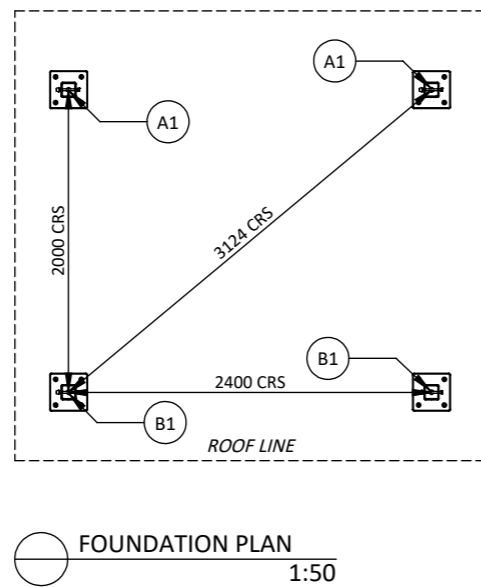
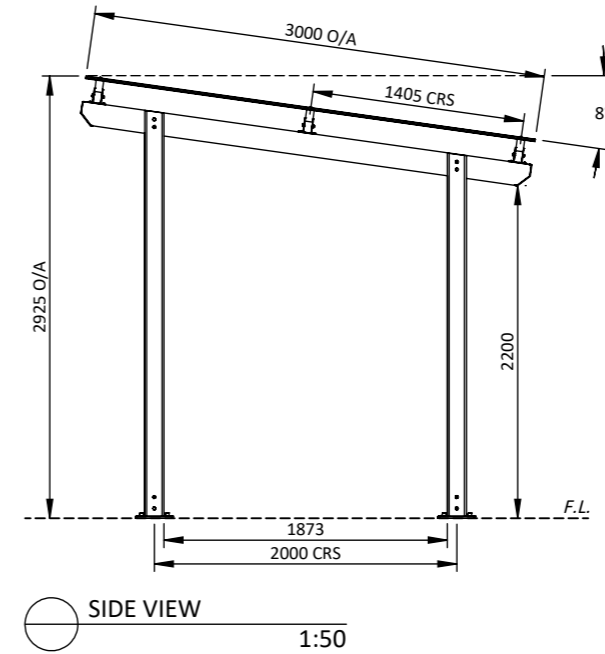
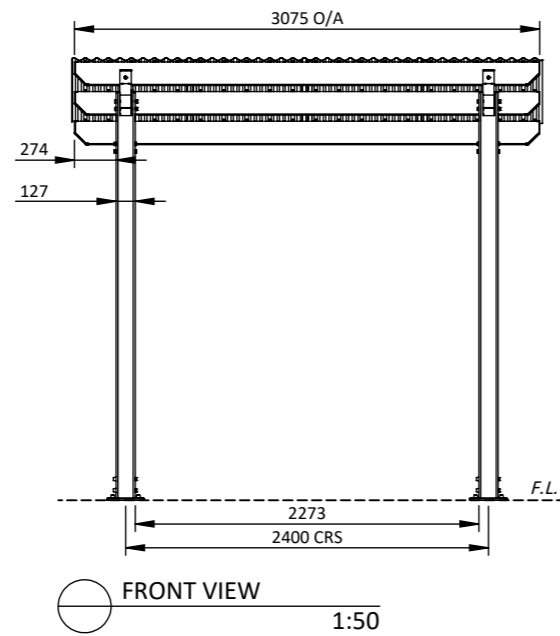


\\aus.gjames.com.au\shares\gjd\gossi\Gossi New 2022\Park Shelters-2022\Capricorn\3x3-CN-2000\Design\Solidworks



**GOSSI**  
PARK & STREET FURNITURE

1082 Kingsford Smith Drive  
EAGLE FARM - QLD 4009  
Phone: (07) 3877 2856  
Fax: (07) 3877 2890  
www.gossi.com.au Email:  
sales@gossi.com.au

©Copyright - This drawing  
is the property of G.James  
Glass & Aluminium Pty Ltd  
it must not be copied or  
shown to third parties  
without written consent

PROJECT	<b>Capricorn 3x3</b>		
TITLE	General arrangement		
DATE	29/9/2022	SCALE	A3
DRAWING NUMBER	CN-3x3-FM-SLS-1		

**GENERAL MATERIALS:**

- Posts, framing and roofing components in extruded aluminium.
- Roof sheeting in corrugated profile coated steel.

**FINISHES**

- Posts, framing and brackets in Class AA25 Anodising finishes, Polyester Powder Coating or wood look aluminium.  
*Note: Colour may vary between alloys.*
- Spigots in Polyester Powder Coating finishes.  
*Note: 60 Micron minimum on visible faces.*

**HARDWARE**

- Stainless steel anti-vandal fixings.
- Roof screws colour matched roof sheets.