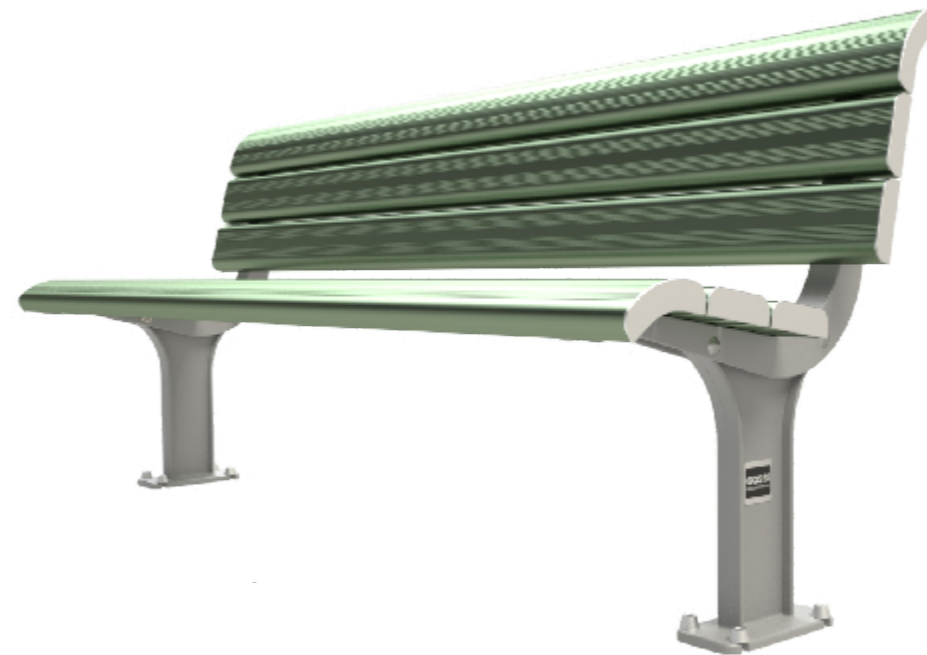
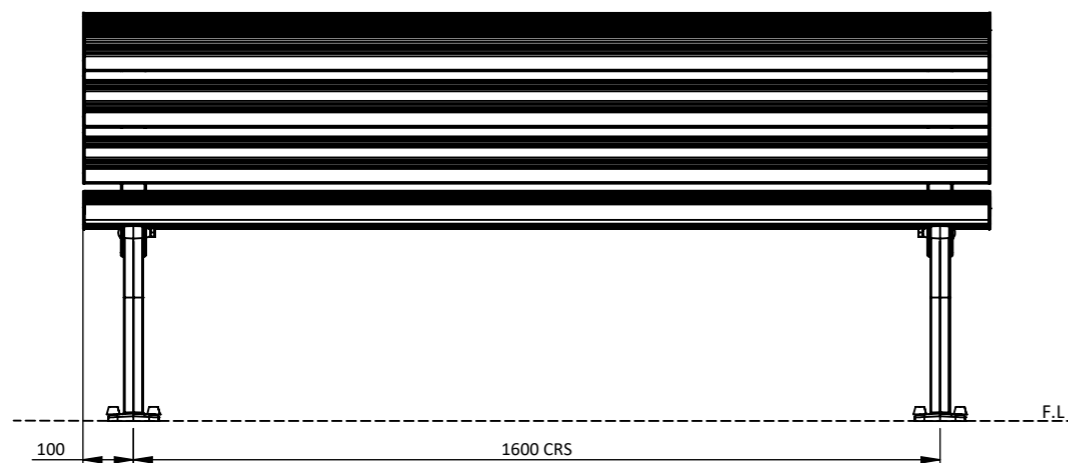


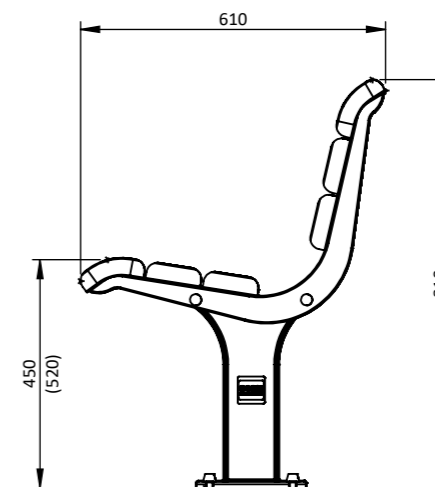
TOP VIEW  
1:15



AVAILABLE IN DIFFERENT SLAT TYPES: STANDARD, ECO AND TIMBER  
\*refer to online configurator for visual representation



FRONT VIEW  
1:15



SIDE VIEW  
1:15

**GOSSI**  
PARK & STREET FURNITURE

1082 Kingsford Smith Drive  
EAGLE FARM - QLD 4009  
Phone: (07) 3877 2856  
Fax: (07) 3877 2890  
www.gossi.com.au Email:  
sales@gossi.com.au

©Copyright - This drawing  
is the property of G.James  
Glass & Aluminium Pty Ltd  
it must not be copied or  
shown to third parties  
without written consent

PROJECT Parkway - 1800		
TITLE General Arrangement		
DATE 06/04/2023	SCALE 1:15	A3
DRAWING NUMBER Parkway-1800-FM-1		

**GENERAL MATERIALS:**

- Planks / Slats in extruded aluminium
- Legs/Frame in cast aluminium or fabricated extruded aluminium.
- DDA Compliant
- Australian Standard (AS 1428.2)

**FINISHES**

- Slats / extrusions in Class AA25 Anodising finishes Polyester Powder Coating
- Wood grain finish on aluminium ( ECO suite only)

Note: Anodising colour may vary

**HARDWARE**

- Stainless steel Anti-vandal fixings.
- Dynabolts with Armour Rings
- Spike Anchors