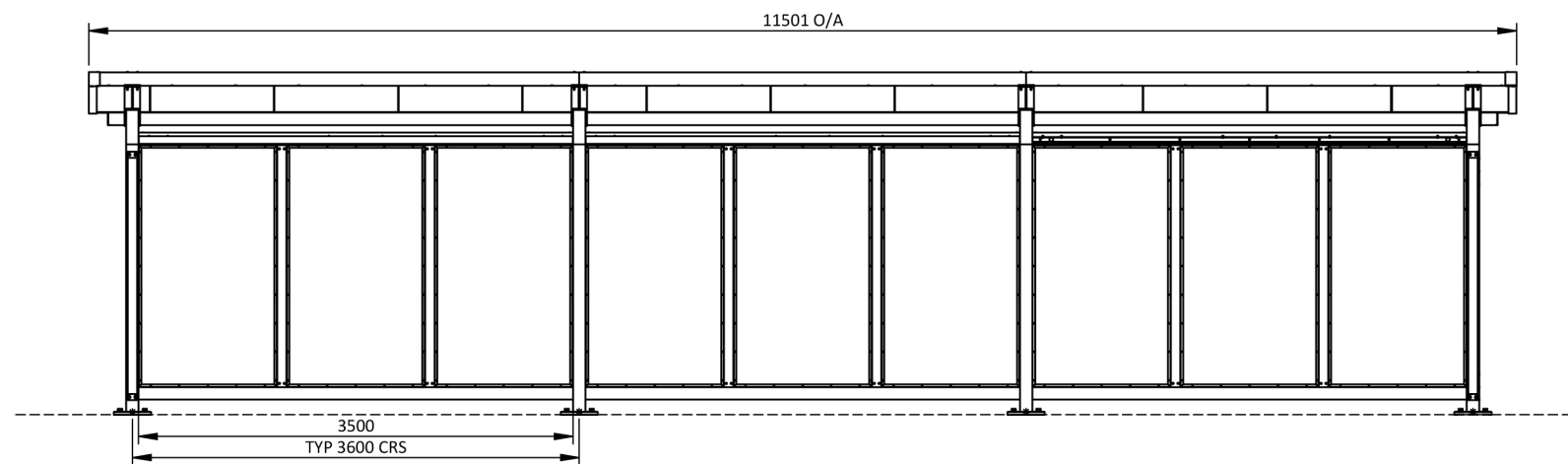


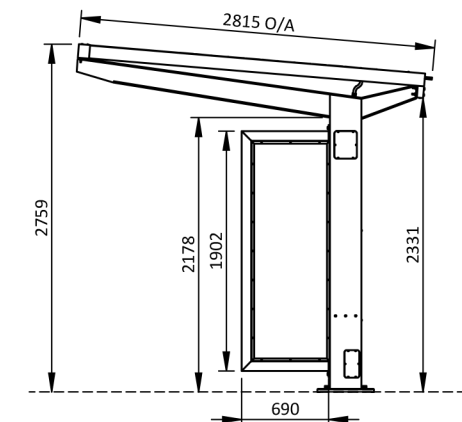
TOP VIEW
1:60

**3-BAY CANTILEVER BUS SHELTER
WITH BACK WALLS AND SIDE GABLES.
ARRIVAL GABLE - GLASED.
GABLES - 4mm SLOTTED MESH.
BONDOR 50mm INSULROOF.
LED SOLAR LIGHTING OVER ALL BAYS.
FLANGE MOUNT.
N4/C2 RATED.**

Reaction & Footing Table			
Reactions	N2 Class	N3/C1 Class	N4/C2 Class
Intermediate Post			
Shear (kN)	8.0	12.4	18.5
Uplift (kN)	5.1	9.1	14.5
Moment (kN.m)	17.9	28.6	43
End Post			
Shear (kN)	4.8	7.4	11.0
Uplift (kN)	2.7	5.1	8.3
Moment (kN.m)	10.6	17.0	25.6



FRONT VIEW
1:60



SIDE VIEW
DEPARTURE 1:60

GOSSI
PARK & STREET FURNITURE

1082 Kingsford Smith Drive
EAGLE FARM - QLD 4009
Phone: (07) 3877 2856
Fax: (07) 3877 2890
www.gossi.com.au Email:
sales@gossi.com.au

©Copyright - This drawing
is the property of G.James
Glass & Aluminium Pty Ltd
it must not be copied or
shown to third parties
without written consent

PROJECT 3-BAY CANTILEVER BUS SHELTER		
TITLE GENERAL ARRANGEMENT		
DATE 30/11/22	SCALE 1:60	A3
DRAWING NUMBER CANTILEVER BUS SHELTER SALES PAGE		

GENERAL MATERIALS:

- Posts, framing and roofing components in extruded aluminium.
- Roof sheeting in corrugated profile coated steel.

FINISHES

- Posts, framing and brackets in Class AA25 Anodising finishes, Polyester Powder Coating or wood look aluminium.
Note: Colour may vary between alloys.
- Spigots in Polyester Powder Coating finishes.
Note: 60 Micron minimum on visible faces.

HARDWARE

- Stainless steel anti-vandal fixings.
- Roof screws colour matched roof sheets.