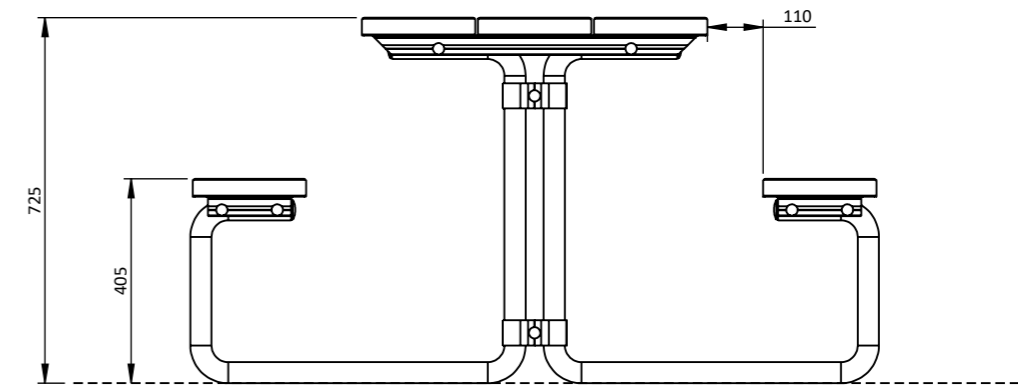
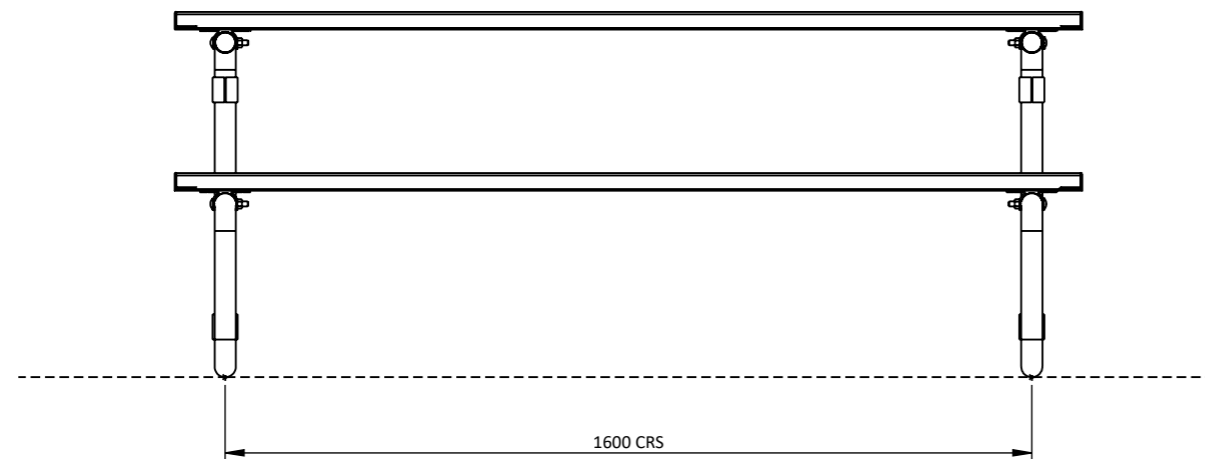


AVAILABLE IN DIFFERENT SLAT TYPES: STANDARD, ECO AND TIMBER  
 \*refer to online configurator for visual representation



**GOSSI**  
**PARK & STREET FURNITURE**

1082 Kingsford Smith Drive  
 EAGLE FARM - QLD 4009  
 Phone: (07) 3877 2856  
 Fax: (07) 3877 2890  
 www.gossi.com.au Email:  
 sales@gossi.com.au

©Copyright - This drawing  
 is the property of G.James  
 Glass & Aluminium Pty Ltd  
 it must not be copied or  
 shown to third parties  
 without written consent

PROJECT Standard Combo Setting - 1800		
TITLE General Arrangement		
DATE 06/04/2023	SCALE 1:50	A3
DRAWING NUMBER Standard Combo Setting-1800-1		

**GENERAL MATERIALS:**

- Planks / Slats in extruded aluminium
- Legs/Frame in cast aluminium or fabricated extruded aluminium.
- DDA Compliant
- Australian Standard (AS 1428.2)

**FINISHES**

- Slats / extrusions in Class AA25 Anodising finishes Polyester Powder Coating
- Wood grain finish on aluminium ( ECO suite only)

Note: Anodising colour may vary

**HARDWARE**

- Stainless steel Anti-vandal fixings.
- Dynabolts with Armour Rings
- Spike Anchors