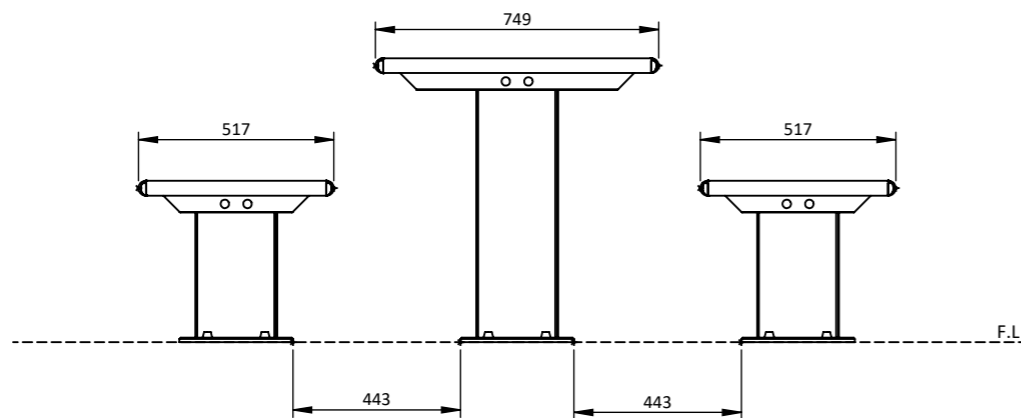


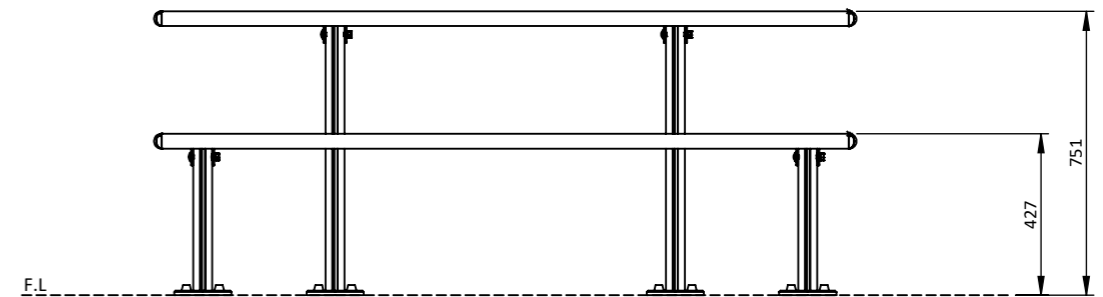
TOP VIEW
1:20



AVAILABLE IN DIFFERENT SLAT TYPES: STANDARD, ECO AND TIMBER
*refer to online configurator for visual representation



FRONT VIEW
1:20



SIDE VIEW
1:20

GOSSI
PARK & STREET FURNITURE

1082 Kingsford Smith Drive
EAGLE FARM - QLD 4009
Phone: (07) 3877 2856
Fax: (07) 3877 2890
www.gossi.com.au Email:
sales@gossi.com.au

©Copyright - This drawing
is the property of G.James
Glass & Aluminium Pty Ltd
it must not be copied or
shown to third parties
without written consent

PROJECT Gippsland Setting - 1800		
TITLE General Arrangement		
DATE 14/04/2023	SCALE 1:20	A3
DRAWING NUMBER Gippsland Setting - 1800-FM-1		

GENERAL MATERIALS:

- Planks / Slats in extruded aluminium
- Legs/Frame in cast aluminium or fabricated extruded aluminium.
- DDA Compliant
- Australian Standard (AS 1428.2)

FINISHES

- Slats / extrusions in Class AA25 Anodising finishes Polyester Powder Coating
- Wood grain finish on aluminium (ECO suite only)

Note: Anodising colour may vary

HARDWARE

- Stainless steel Anti-vandal fixings.
- Dynabolts with Armour Rings
- Spike Anchors