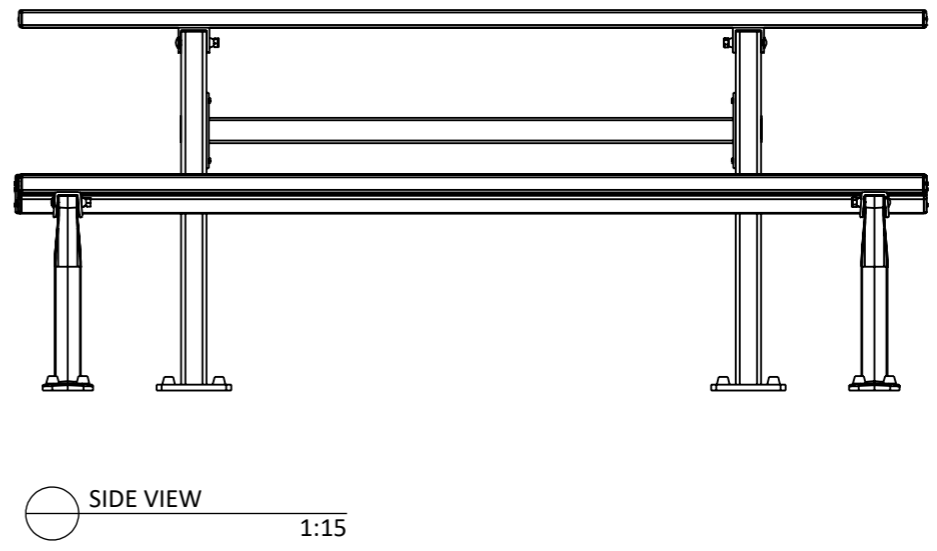
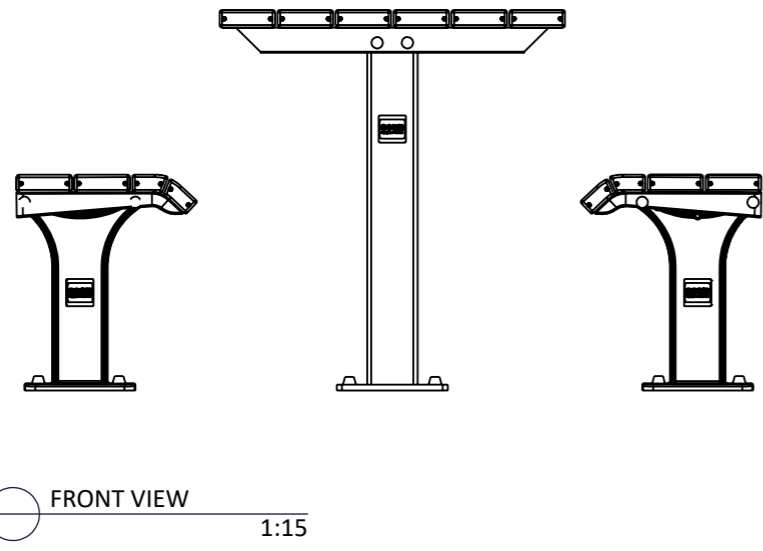


AVAILABLE IN DIFFERENT SLAT TYPES: STANDARD, ECO AND TIMBER
 *refer to online configurator for visual representation



1082 Kingsford Smith Drive
 EAGLE FARM - QLD 4009
 Phone: (07) 3877 2856
 Fax: (07) 3877 2890
 www.gossi.com.au Email:
 sales@gossi.com.au

©Copyright - This drawing is the property of G. James Glass & Aluminium Pty Ltd it must not be copied or shown to third parties without written consent

PROJECT ECO ACCESS TABLE	
TITLE GENERAL ARRANGEMENT	
DATE 06/04/2023	SCALE 1:50
DRAWING NUMBER A3	
ECO-Access Table Combo Setting - 1800-1	

- GENERAL MATERIALS:**
- Planks / Slats in extruded aluminium
 - Legs/Frame in cast aluminium or fabricated extruded aluminium.
 - DDA Compliant
 - Australian Standard (AS 1428.2)

- FINISHES**
- Slats / extrusions in Class AA25 Anodising finishes Polyester Powder Coating
 - Wood grain finish on aluminium (ECO suite only)
- Note: Anodising colour may vary*

- HARDWARE**
- Stainless steel Anti-vandal fixings.
 - Dynabolts with Armour Rings
 - Spike Anchors

Z:\gossi\Gossi New 2022\Furniture - 2022\Access Table\ECO - Access Table\Design\